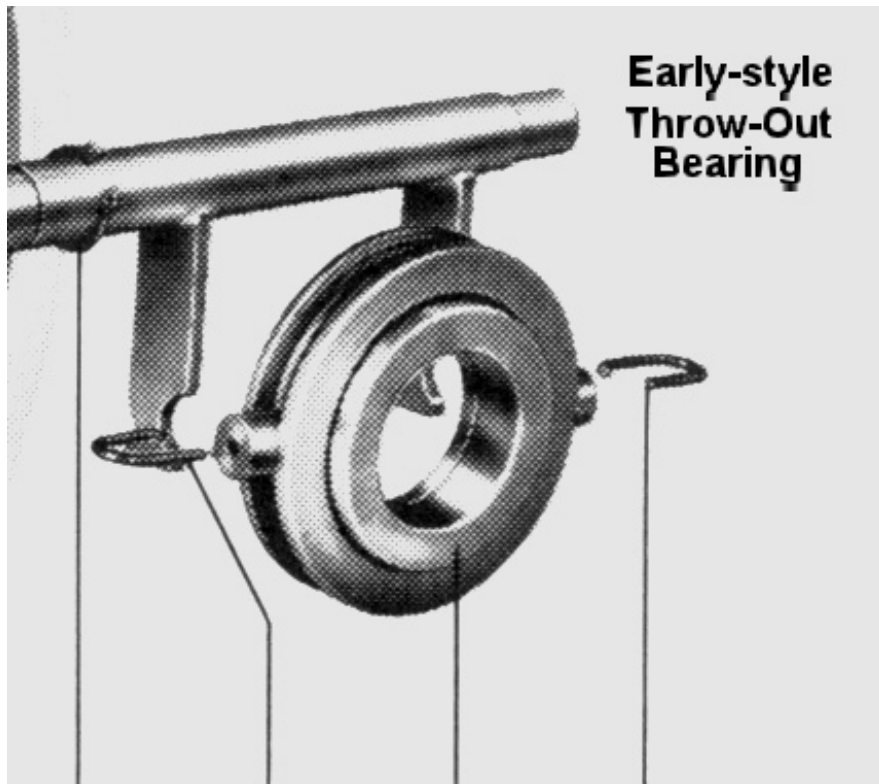




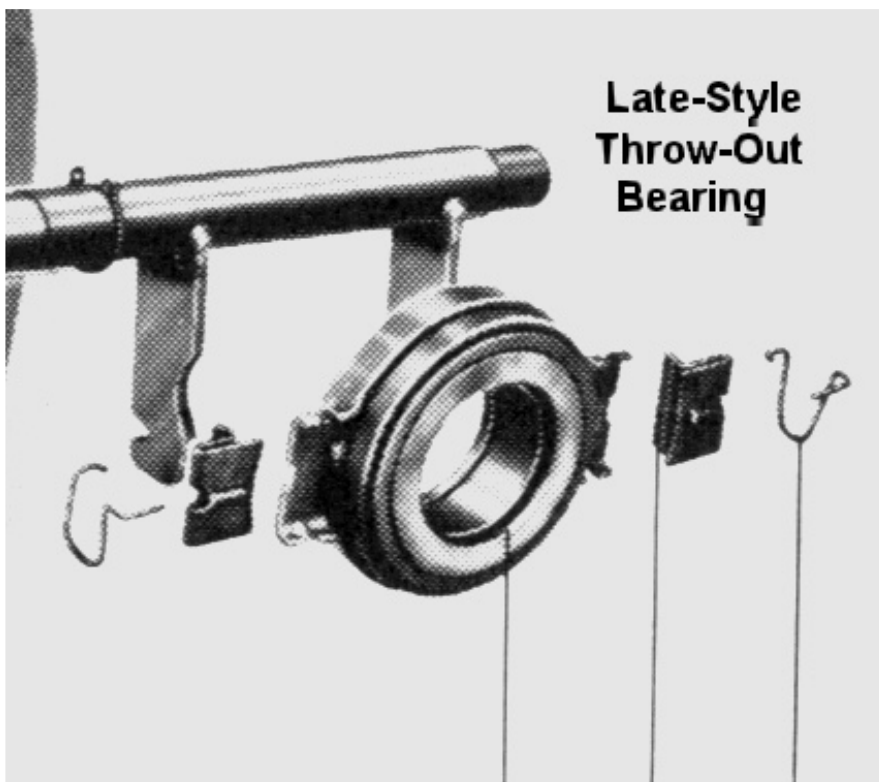
Early Clutch Kit – 1970 and Earlier.
Note : Ring on Pressure Plate and Throw-Out Bearing Style.



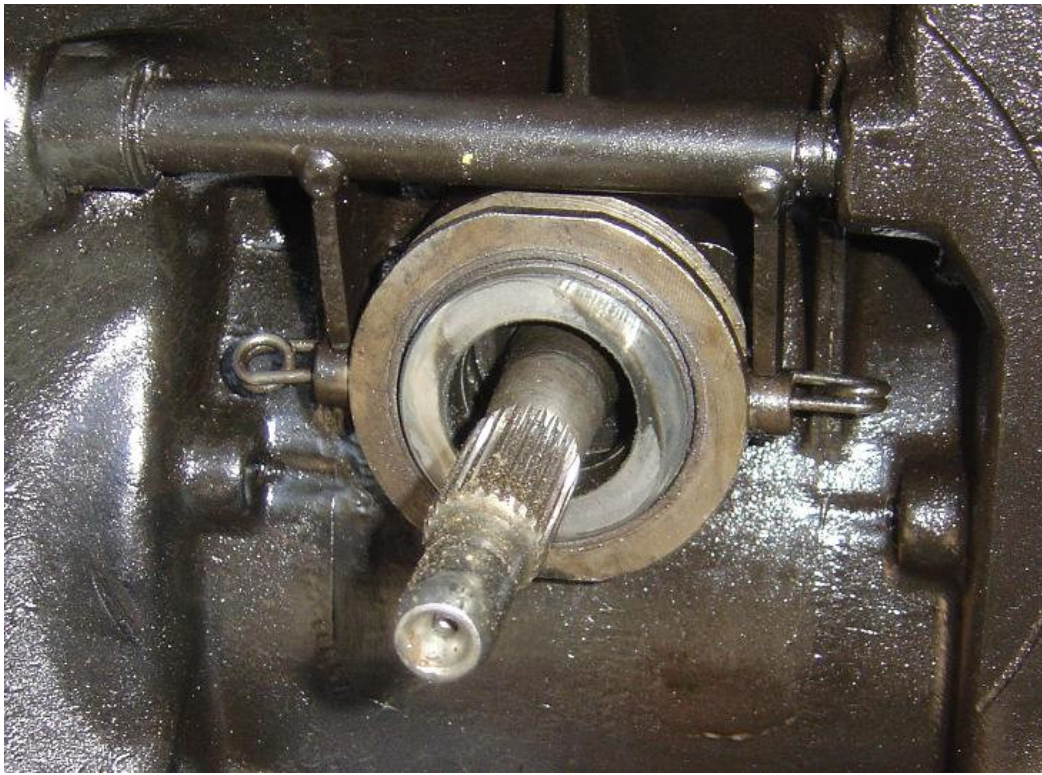
Late Clutch Kit. 1971 and Later.
Note: Absence of Ring on Pressure Plate and Throw-Out Bearing Style.



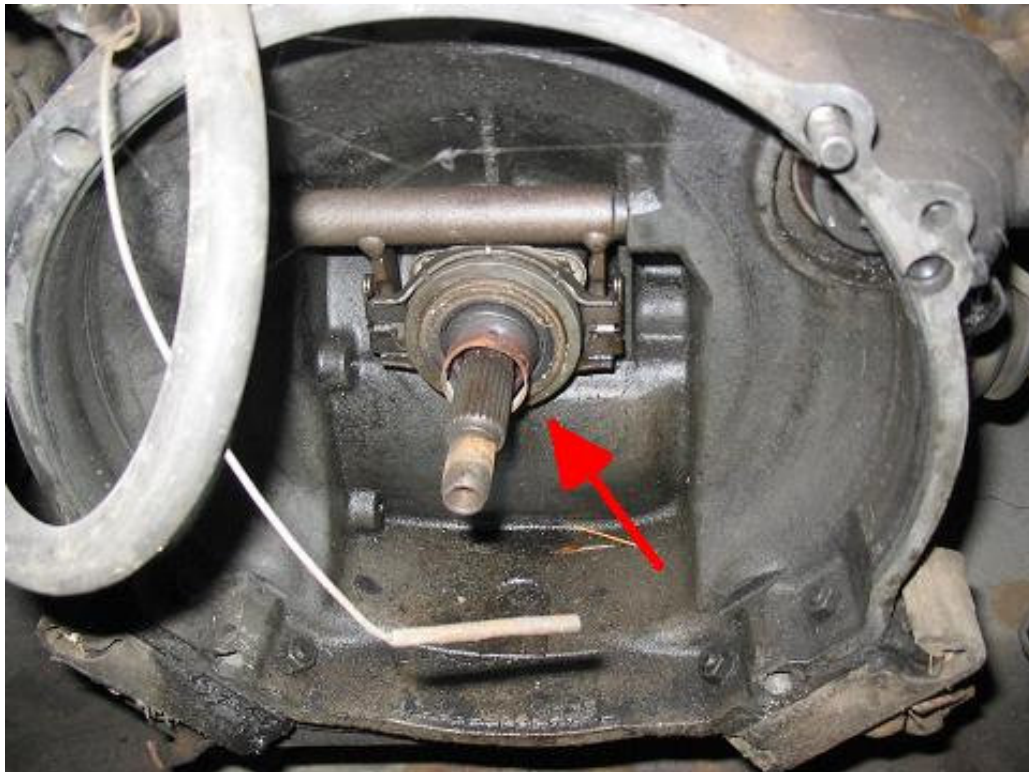
Note How Throw-Out Bearing Attaches to Clutch Forks (Early Model)



Note How Throw-out Bearing Attaches to Clutch Forks (Late Model)



Early Style Input Shaft, Throw-out Bearing and Forks (1970 and earlier).



Late Style Input Shaft With Centering Sleeve, Throw-out Bearing and Forks (1971 and later).